

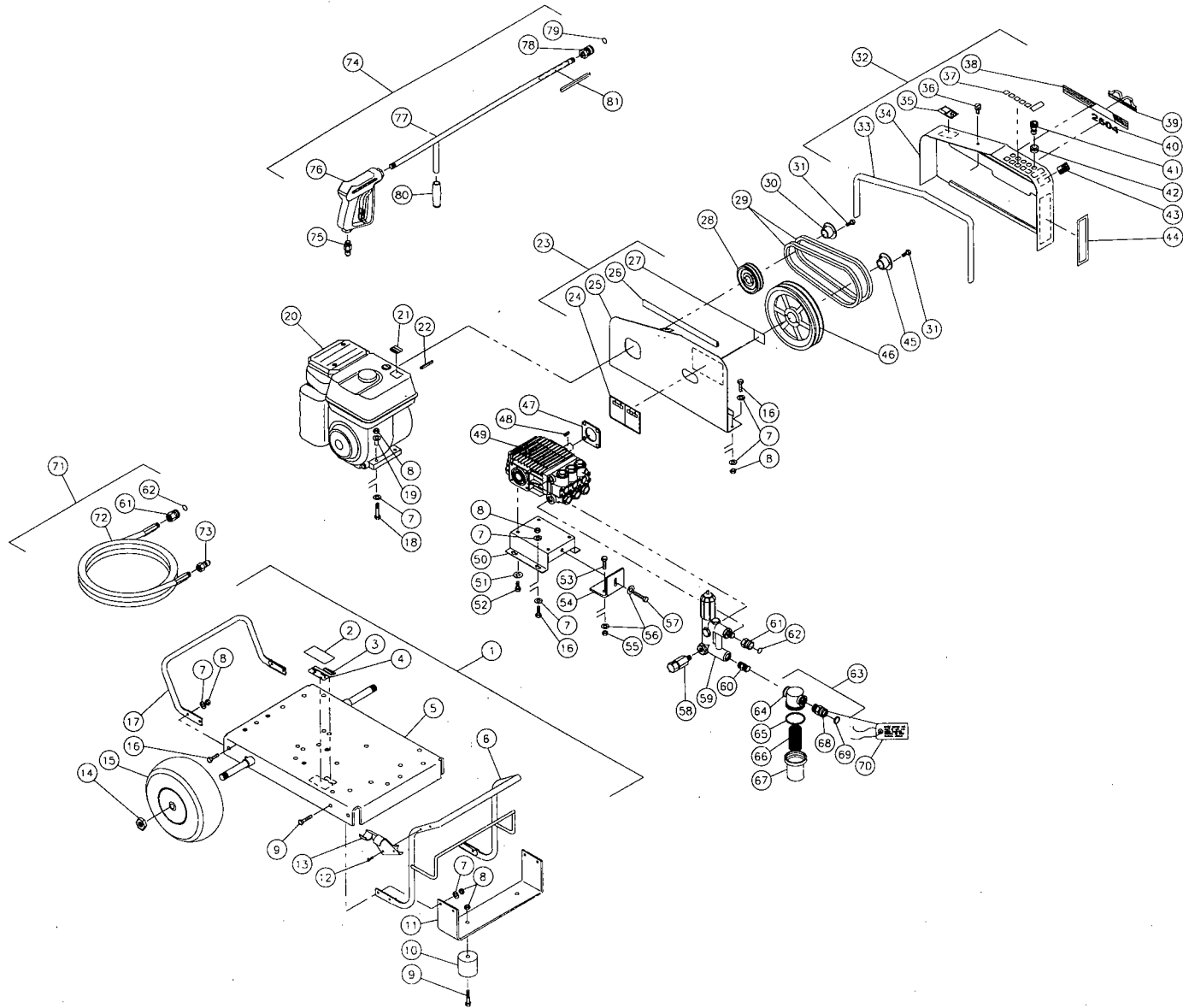
# **Mi-T-M<sup>®</sup> CORPORATION**

8650 Enterprise Dr., Peosta IA 52068  
319-556-7484 / Fax 319-556-1235

## **CW-2504-CMV4 PARTS LIST**

<b>Engine Oil Grade:</b>	<b>30W SE/SF/SG</b>
<b>Vanguard Engine Oil Capacity:</b>	<b>41 oz.</b>
<b>Pump Oil Grade:</b>	<b>Mi-T-M Pump Oil AW-4085-0016</b>
<b>Pump Oil Capacity:</b>	<b>14 oz.</b>
<b>Nozzle Size:</b>	<b>4.5</b>

# FRAME ASSEMBLY FOR CW-2504-CMV4

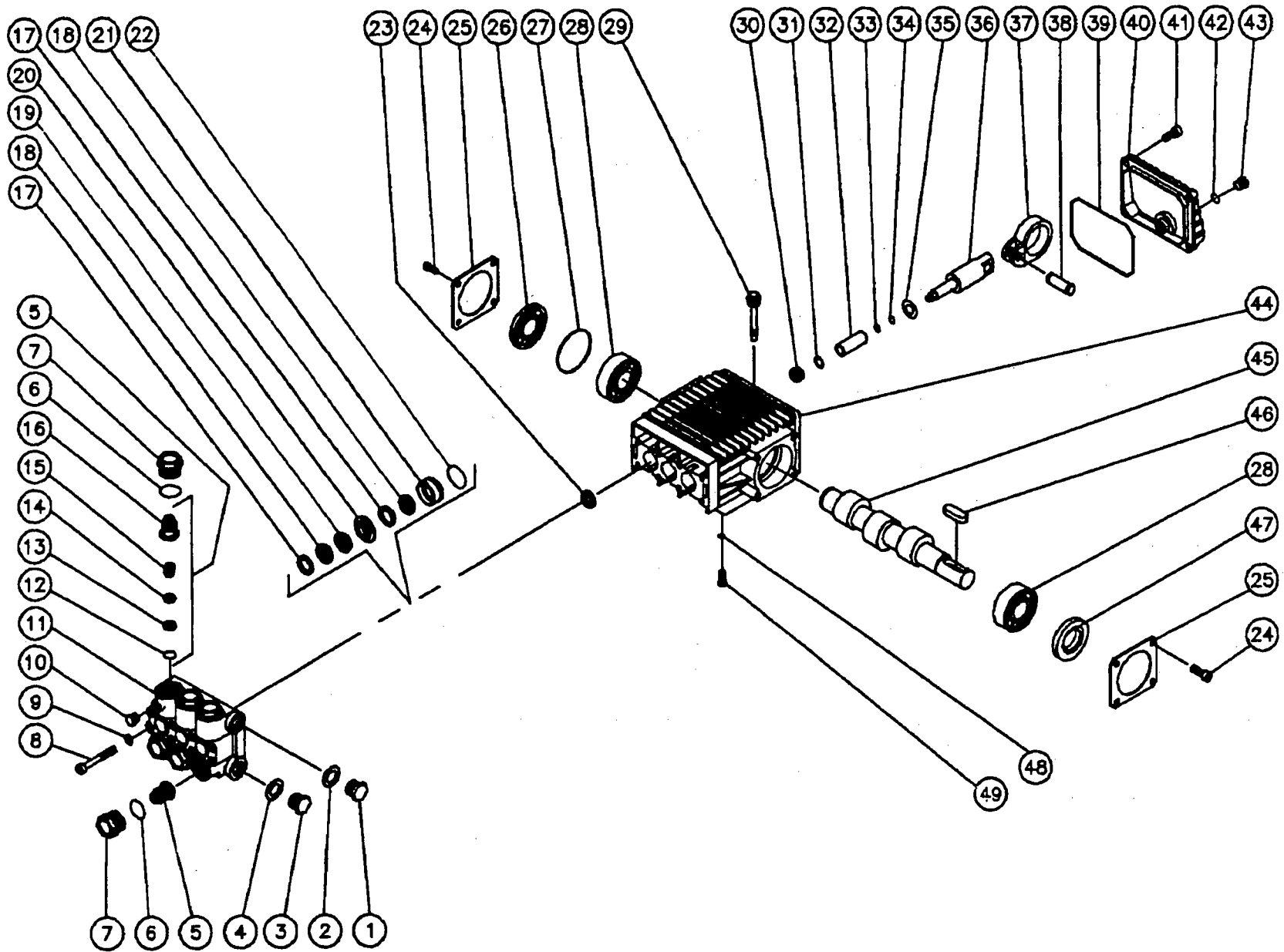


OMCWU137-090396-JTR

FRAME ASSEMBLY FOR CW-2504-CMV4

REF #	DESCRIPTION	PART #	QTY	REF #	DESCRIPTION	PART #	QTY	REF #	DESCRIPTION	PART #	QTY
1	Base Plate Assembly (5-17)	851-0208	1	30	Bushing	9-0005	1	56	Washer	28-0023	3
2	Decal-Clear Laminate	34-0210	1	31	Bolt- with bushing	27-0015	4	57	Bolt	27-0576	1
3	Decal-Cold Water Serial Number	34-0289	1	32	Beltguard cover Assy. (33-39, 42-44)	851-0214	1	58	Heat Dump Valve	22-0148	1
4	Decal-Silver Sticker	34-0075	1	33	Edging (1"x34.5")	33-0020	1	59	Unloader	8-0316	1
5	Base Plate	5-0074	1	34	Beltguard Cover- Small	6-0062	1	60	Hex Nipple	23-0012	1
6	Handle-Front	7-0100	1	35	Decal- Warning: Muffler Hot	34-0130	1	61	Quick Connect Socket	17-0004	2
7	Washer	28-0003	28	36	Fastener	33-0197	1	62	O-ring	25-0123	2
8	Locknut	30-0157	22	37	Decal- Nozzles: 0°, 15°, 25°, 40°	34-0500	1	63	Strainer Completer (64-69)	19-0057	1
9	Bolt	27-0068	6	38	Decal- Mi-T-M Stripe	34-0502	1	64	Strainer Cap	19-0058	1
10	Isolator	14-0008	2	39	Decal- Mi-T-M Logo	62-0086	1	65	Strainer Gasket	26-0160	1
11	Underbracket	13-0002	1	40	Decal-White Die Cut: 2504	34-0512	1	66	Strainer Steel Screen	19-0059	1
12	Screw	27-3062	2	41	Nozzle: 00045	18-0033	1	67	Strainer Bowl	19-0060	1
13	Wand holder-Plastic	62-0085	1	--	Nozzle: 15045	18-0039	1	68	Garden Hose Swivel	23-0095	1
14	Jamnut	30-0117	2	--	Nozzle: 25045	18-0060	1	69	Garden Hose Gasket	26-0001	1
15	Wheel	14-0017	2	--	Nozzle: 40045	18-0065	1	70	Tag-Water Supply Inlet	34-0097	1
16	Bolt	27-0067	12	42	Grommet	33-0001	5	71	Pressure Hose Assy. (64, 75, 76)	851-0007	1
17	Handle-Rear	7-0103	1	43	American Flag	34-0521	1	72	Pressure Hose 3/8" x 50' 3000 PSI	15-0003	1
18	Bolt	27-0070	4	44	Operating Instructions	34-0499	1	73	Quick Connect Plug- Female 3/8"	17-0006	1
19	Engine Shim	33-0169	4	45	Bushing	9-0017	1	74	Gun/ Wand Assy. (75-78, 80)	851-0095	1
20	Engine-9.0 HP Vanguard	1-0070	1	46	Sheave	10-0035	1	75	Quick Connect Plug- Male 3/8"	17-0005	1
21	Decal-Caution: llow to Cool	34-0588	1	47	Isolator- Pump	33-0201	1	76	Gun	16-0001	1
22	Key	43-0078	1	48	Key- with pump	46-0601	1	77	Wand with 36" Handle	16-0120	1
23	Beltguard Back Assy. (24-27)	851-0213	1	49	Pump	3-0121	1	78	Quick Connect Socket 1/4"	17-0001	1
24	Decal- Caution/ Warning Statements	34-0498	1	50	Pump Bracket	5-0097	1	79	O-ring	25-0122	2
25	Beltguard Back- Small	6-0061	1	51	Washer- with pump	29-0054	4	80	Handle Grip for Wand	7-0002	1
26	Eding (1" x 13.5")	33-0020	1	52	Bolt- with pump	27-8042	4	81	Decal- Warning: Risk of Injection	34-0572	1
27	Decal- Warning: Beltguard in Place	34-0575	1	53	Bolt	27-0118	2				
28	Sheave	10-0029	1	54	Brace Tightener	13-0005	1				
29	Belt	11-0020	2	55	Locknut	30-0159	2				

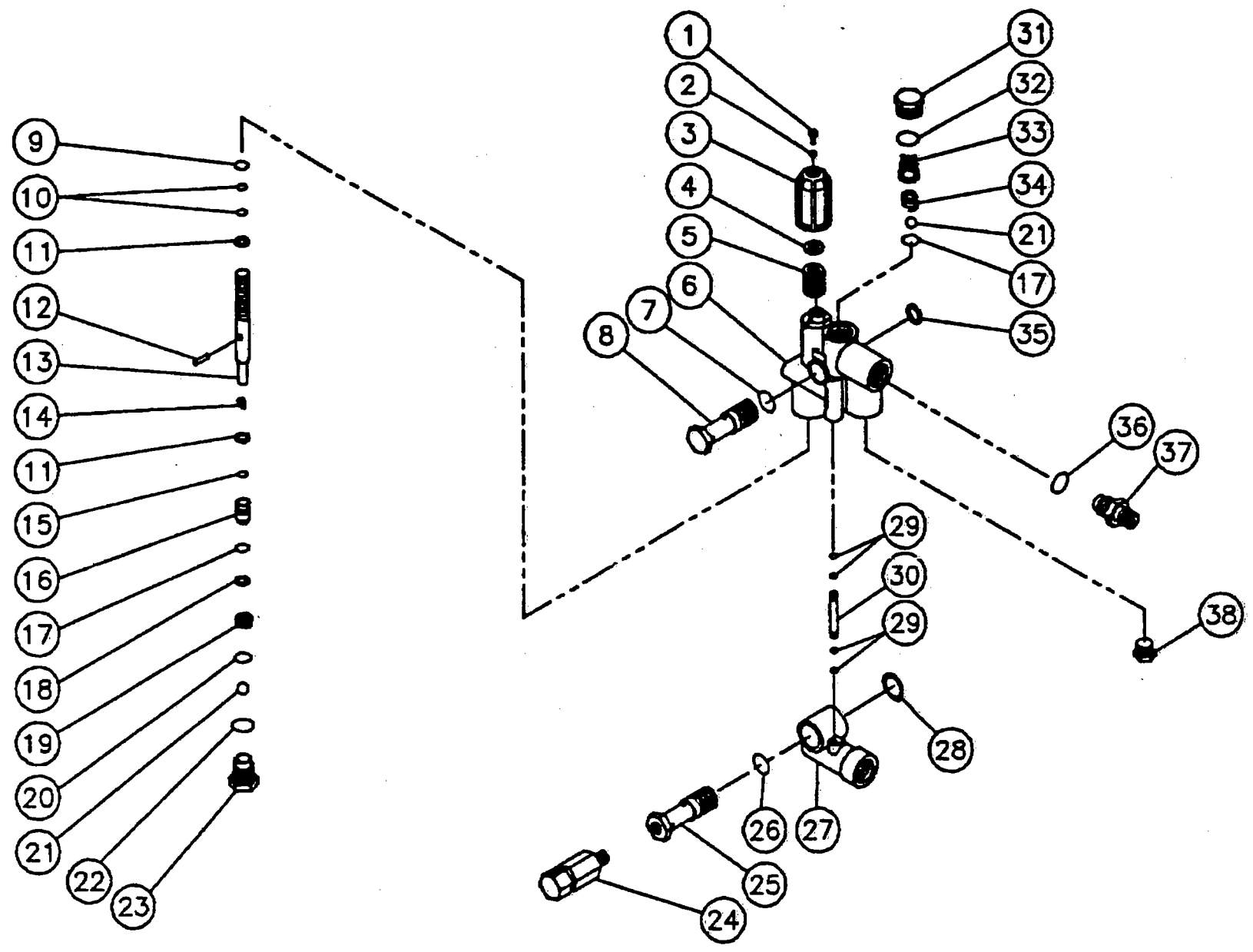
PUMP ASSEMBLY (3-0121) FOR CW-2504-CMV4



PUMP ASSEMBLY (3-0121) FOR CW-2504-CMV4

REF. #	DESCRIPTION	PART #	QTY.	REF. #	DESCRIPTION	PART #	QTY.	REF. #	DESCRIPTION	PART #	QTY.
1	Hex Plug	39-0018	1	18	V-Packing (See 852-0114)	N/A	6	35	Flinger Washer	28-1018	3
2	Washer	28-0600	1	19	Stop Ring Packing (See 852-0114)	N/A	3	36	Piston Guide	46-0573	3
3	Hex Plug	39-0019	1	20	Intermediate Ring	46-0608	3	37	Connecting Rod	46-0572	3
4	Washer	28-0601	1	21	Packing Retainer	46-0612	3	38	Pin for Connecting Rod	43-0079	3
5	Valve Assy. (12-16) (See 70-0028)	N/A Sep.	6	22	O-ring	25-0048	3	39	O-ring	25-0317	1
6	O-ring	25-0012	6	23	Oil Seal	26-0046	3	40	Crankcase cover	46-0571	1
7	Valve Plug	39-0071	6	24	Bolt	27-8000	4	41	Bolt	27-8401	5
8	Bolt	27-8439	8	25	Retainer / Oil Level / Spacer	46-0084	1	42	O-ring	25-0014	1
9	Lockwasher	29-0154	8	26	Oil Level Indicator / Spacer	46-0574	1	43	Hex Plug	39-0017	1
10	Hex Plug	39-0032	1	27	O-ring	25-0060	1	44	Crankcase	46-0570	1
11	Pump Manifold-Brass 18mm	46-0614	1	28	Ball Bearing	48-0050	1	45	Crankcase Shaft	46-0601	1
12	O-ring (See 70-0028)	N/A	6	29	Oil Dipstick	46-0143	1	46	Key	46-0602	1
13	Valve Seat (See 70-0028)	N/A	6	30	Nut	46-0168	3	47	Oil Seal	46-0604	1
14	Valve Plate (See 70-0028)	N/A	6	31	Washer	46-0166	3	48	Lockwasher	29-0054	4
15	Valve Spring (See 70-0028)	N/A	6	32	Plunger	46-0603	3	49	Bolt	27-8042	4
16	Valve Cage (See 70-0028)	N/A	6	33	O-ring	25-0045	3		Valve Kit (6 each of 12-16)	70-0028	6
17	Head Ring (See 852-0114)	N/A	6	34	Back-up Ring	25-0143	3		V-Packing Kit (6 each of 17 & 18 and 3 each 19)	852-0114	3

UNLOADER ASSEMBLY (8-0316) FOR CW-2504-CMV4

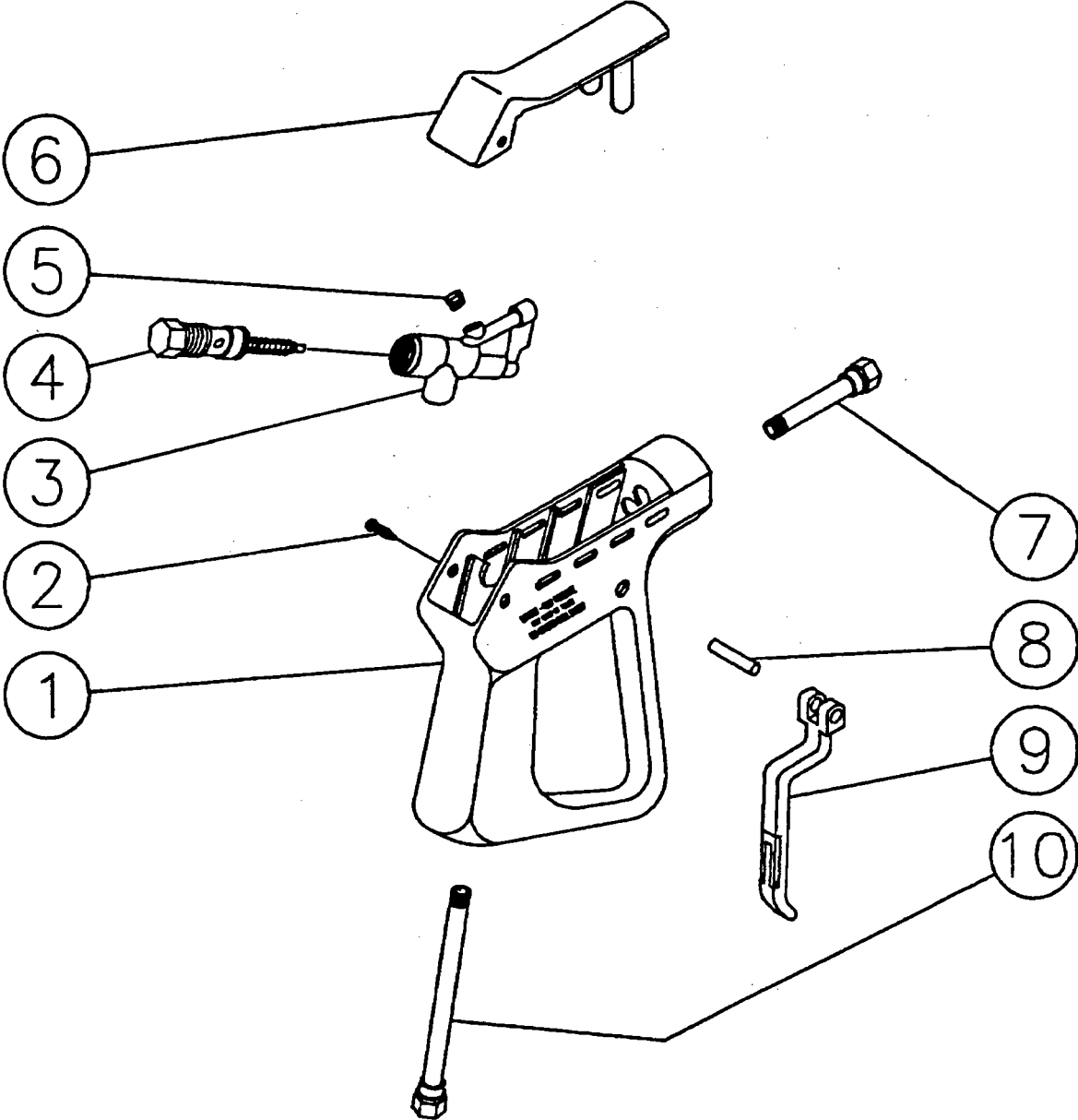


**UNLOADER ASSEMBLY (8-0316)**

REF. #	DESCRIPTION	PART #	QTY.
1	Screw	27-8409	1
2	Nut	30-3024	1
3	Pressure Regulating Knob	7-0050	1
4	Spring Guide	8-0332	1
5	Spring	49-0047	1
6	Valve Body	8-0218	1
7	O-ring	25-0231	1
8	Fixing Screw	8-0224	1
9	Back-up Ring	25-0137	1
10	O-ring	25-0138	2
11	Washer	28-0209	2
12	Pin	43-0051	1
13	Piston Guide	8-0219	1
14	Spring	49-0049	1
15	O-ring	25-0163	1
16	Drive Piston	8-0220	1
17	O-ring	25-0050	2
18	Back-up Ring	8-0284	1
19	Valve Seat	8-0221	1
20	O-ring	25-0159	1

REF. #	DESCRIPTION	PART #	QTY.
21	Ball	8-0201	2
22	O-ring	25-0160	1
23	Cap-Brass	39-0039	1
24	Thermo Valve	22-0208	1
25	Fixing Screw	8-0333	1
26	O-ring	25-0053	1
27	Inlet Body-Aluminum	46-0242	1
28	Washer-Aluminum	28-0601	1
29	O-ring	25-0161	4
30	By-pass Tube-Brass	8-0223	1
31	Cap-Brass	39-0040	1
32	O-ring	25-0136	1
33	Valve Guide	8-0225	1
34	Spring	49-0046	1
35	Washer	28-0600	1
36	O-ring	25-0051	1
37	Nipple-Brass	8-0130	1
38	Cap-Brass	39-0042	1
	Unloader Repair Kit (Inc. 5, 7, 9, 10, 14, 15, 17-22, 25, 28, 31-33)	70-0020	1

GUN ASSEMBLY (16-0001) FOR CW-2504-CMV4





GUN ASSEMBLY (16-0001)			
Ref. #	Description	Part #	Qty.
1	Plastic Housing	16-0008	1
2	Screw	27-3230	2
3	Brass Housing	16-0012	1
4	Gun Repair Kit	70-0055	1
5	Brass Plug	39-0024	1
6	Plastic Cover	16-0009	1
7	Pipe Assembly	16-0013	1
8	Trigger Pin	16-0063	1
9	Trigger Safety Lock-off	16-0010	1
10	Pipe Assembly-Inlet	16-0016	1
	Gun Assembly Complete	16-0001	1